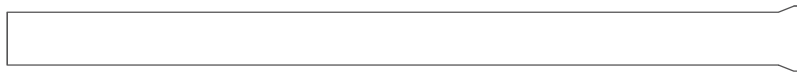
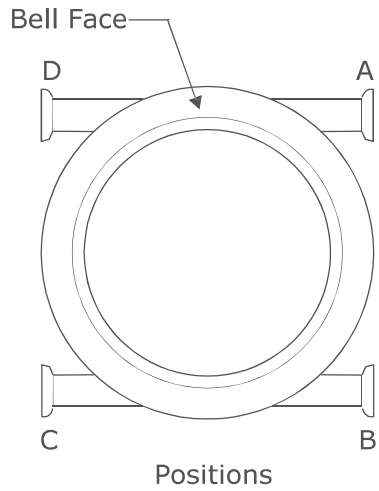


TANGENTIAL OUTLET LOCATIONS



PO#: _____ Order#: _____ Marking: _____

Carrier Pipe

Size: _____ Joint: _____ Spigot: _____

Outlet Pipe

Size: _____ Joint: _____ Position: _____

Location: _____ ft. _____ in. Centered from spigot end of pipe

Drawn By: _____ Approved by: _____