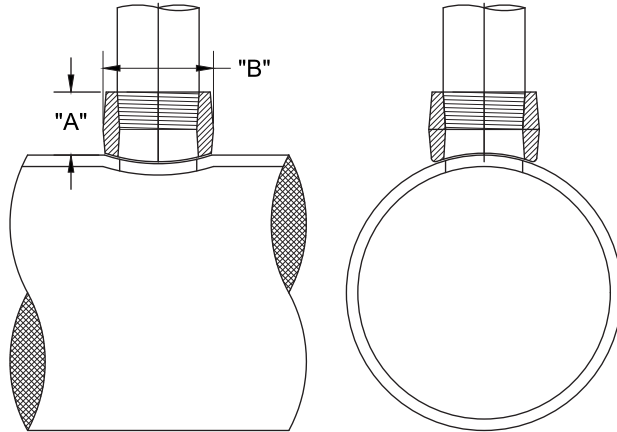




IRON STRONG

DUCTILE IRON PIPE

THREAD-O-LET
NPT THREADED OUTLETS



McWane Ductile utilizes Thread-O-Lets to allow for a broader range of threaded connections. These threaded connections are used where a direct tap is greater than the allowable size for a direct tap or not allowed. The pressure rating of the Thread-O-Let will be the same as the main/or adjoining pipe. The chart below shows the available Thread-O-Lets and their overall dimensions.

THREAD-O-LET DIMENSIONS

SIZE	"A" DIMENSION	"B" DIMENSION	WEIGHT (LBS.)
0.5"	1.00"	1.41"	0.25
0.75"	1.06"	1.72"	0.35
1.0"	1.31"	2.00"	0.60
1.5"	1.38"	2.84"	1.00
2"	1.50"	3.47"	1.75
2.5"	1.81"	4.06"	3.00
3"	2.00"	4.81"	4.35
3.5"	2.13"	5.22"	5.75
4"	2.25"	5.97"	7.10



POCKET ENGINEER

Available for iOS + Android
or online at pe.mcwane.com

CONNECT WITH US ON



mcwaneductile.com

NEW JERSEY
183 Sitgreaves St.
Phillipsburg, NJ 08865
908-454-1161

OHIO
2266 S. 6th St.
Coshocton, OH 43812
740-622-6651

UTAH
1401 E. 2000 South
Provo, UT 84606
801-373-6910



canadapipe.com

CANADA
55 Frid Street, Suite 1
Hamilton, ON L8P-4M3
905-547-3251